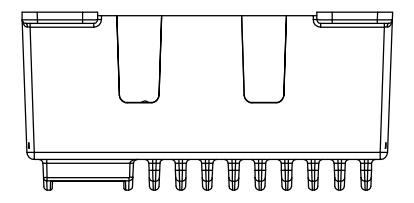
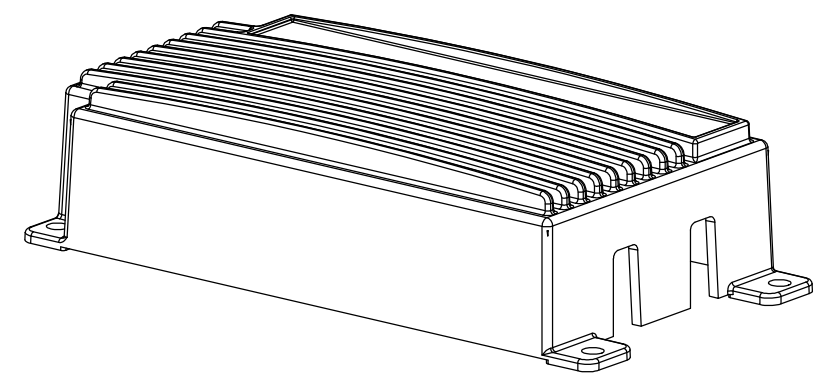
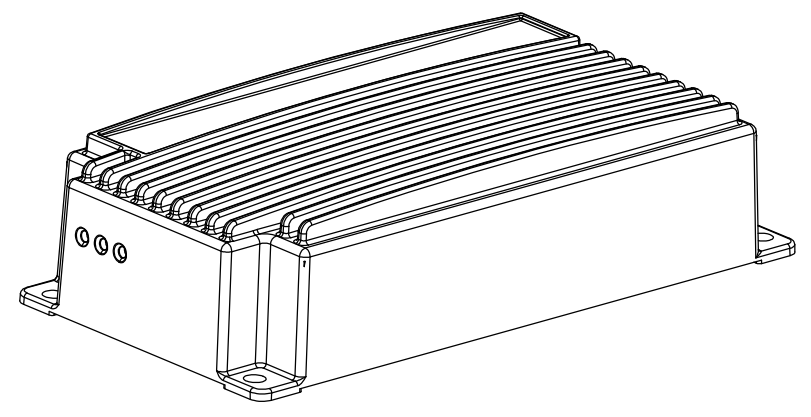
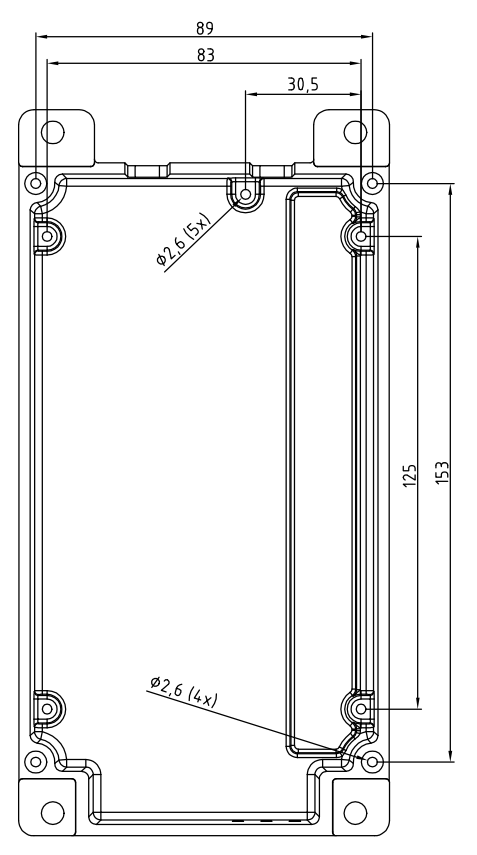
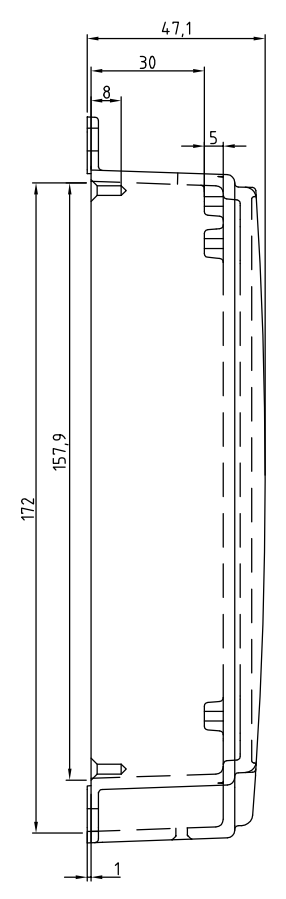
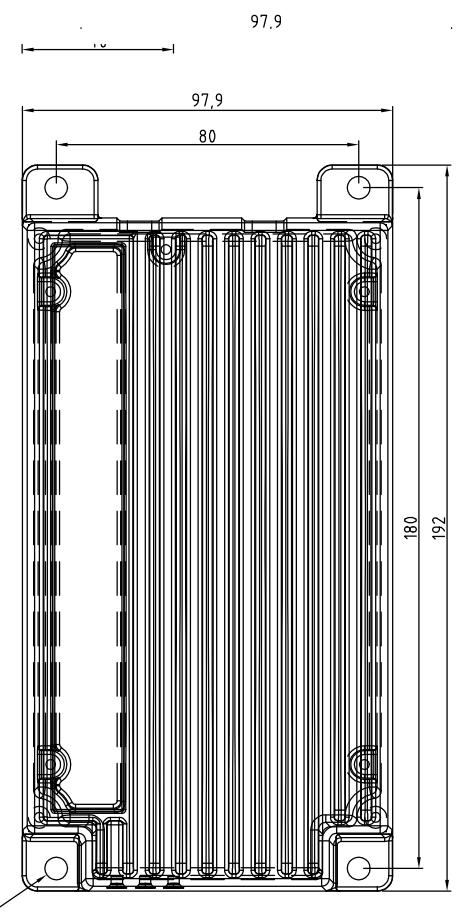
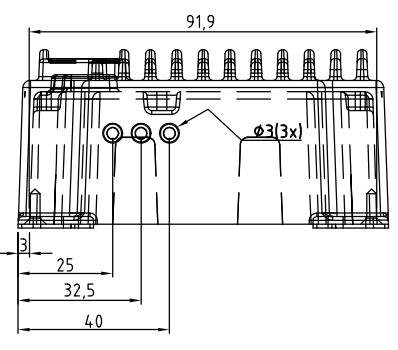


1 2 3 4 5 6 7 8

A B C D E F



Victron Energy
De Paal 35
Almere Haven

BPC012017100 - Blue Power 12/17 IP67 Waterproof (1)
BPC024012100 - Blue Power 24/12 IP67 Waterproof (1)

Size: A3	Scale: 1:2
Sheet: 1/1	Rev.:



1 2 3 4 5 6 7 8